

SAUDI MADE صناعة سعودية

رؤية 2030
المملكة العربية السعودية
KINGDOM OF SAUDI ARABIA

LC
المحتوى المحلي



شركة مصنع جاما للصناعات المعدنية GAMMA FACTORY FOR METAL INDS.

MORE THAN **15** YEARS IN MANUFACTURING OF :

- Cabinets & Accessories
- IP... Outdoor Enclosures
- NEMA x Stainless Steel Enclosures
- Power Distribution Unit (PDU)



**GAMMA FEC CABINETS IP66 FLOOR STAND
WITH AIR CONDITIONING & MONITORING INTERFACE**



GAMMA FEC CABINETS IP66 FLOOR STAND

◆ Dimensions :

Height : 21U / 26U / 32U / 42 U
Width : 800 / 1350 mm
Depth : 800/1000 mm

◆ Standard Colour :

RAL 7035
Light Gray

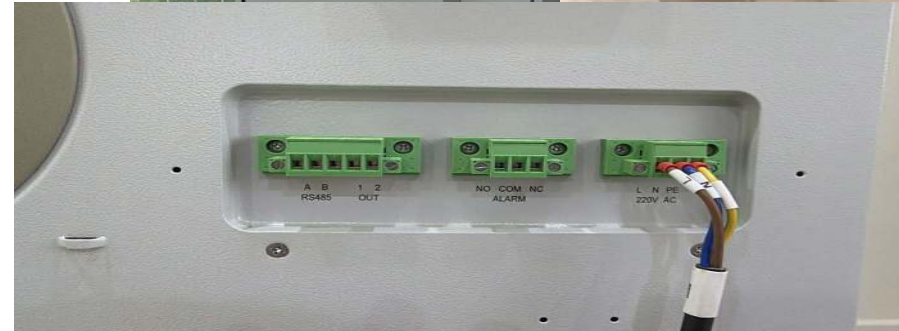


Other colours available
on request



◆ Complying with International Standards:

- ISO 9001:2015 /ISO 14001:2015 / ISO 4500:2018
- EIA/ECA- 310 E & EIA-310 D
- IEC 297-1 19" MOUNTING
- IEC 297-2 Overall cabinet dimensions
- IP66 / IK08 Protected for Cabinet
- Local Content Certificate
- MADE IN KSA



◆ GAMMA FIELD EQUIPMENT CABINET (FEC) – IP66 PROTECTION

➤ Features & Specifications

1. GAMMA FEC Cabinets with floor stand design are engineered to protect valuable and sensitive equipment with a robust and reliable enclosure system, offering protection against rain, dust, wind, and sun radiation.
2. FEC Cabinet Structure Manufactured from high-quality galvanized steel with powder coated finish for enhanced corrosion resistance , double skin insulation and rubber seal(Option : Stainless Steel) using CNC laser cut / CNC Robotic Bending /CNC Laser Welding and finished electrostatic powder coating fully automated line with 6-stage pretreatment and robotic spray guns.
3. Advanced Cooling System (Air Conditioner) -(Refer to data sheet for more details)
Recently introduced by GAMMA to meet evolving customer requirements for RS485-based remote monitoring and enhanced temperature management. Available in two models: GMI-AC0600W and GMI-AC2000W, based on customer cooling capacity requirements.
4. Rain Canopy
Integrated top rain canopy provides additional protection against water ingress and improves overall outdoor durability.
5. Front and Back Door Structure and Lock System
Heavy-duty front and back door with hidden hinges and secure handle lock system, designed to ensure sealing performance, and maintenance access.
6. Flexible Mounting Options
Mounting Plate (MP) or 19-inch rack mounting can be provided according to customer requirements.
7. Environmental Protection
Designed to withstand harsh FEC conditions IP66 with excellent resistance against moisture, dust, and high ambient temperatures.
8. Alarm Interface
GMI cooling unit models (GMI- AC0600W and GMI- AC2000 W) support dry-contact alarm outputs for fault and temperature alerts..
9. AC Sunshade Cover : Available upon request for additional protection against direct sunlight and rain.



GAMMA FEC CABINETS IP66 FLOOR STAND WITH AIR CONDITIONING & MONITORING INTERFACE

Part Number	Standard Description (H X W X D) mm	Cooling Capacity (W)
GMI-FEC-21U-88-2000AC	GMI Saudi Made, 21U 800×800 Field Equipment Cabinet (FEC), IP66 floor standing welded structure, galvanized steel, powder coated RAL 7035, with 2 pairs of 19 inch pillars, double skin with insulation, 100 mm base plinth, front & rear doors with 3-point locking handle, back door fitted with integrated 2000W cooling unit with monitoring interface.	2000 W Option(600 W)
GMI-FEC-26U-88-2000AC	GMI Saudi Made, 26U 800×800 Field Equipment Cabinet (FEC), IP66 floor standing welded structure, galvanized steel, powder coated RAL 7035, with 2 pairs of 19 inch pillars, double skin with insulation, 100 mm base plinth, front & rear doors with 3-point locking handle, back door fitted with integrated 2000W cooling unit with monitoring interface.	2000 W Option(600 W)
GMI-FEC-32U-88-2000AC	GMI Saudi Made, 32U 800×800 Field Equipment Cabinet (FEC), IP66 floor standing welded structure, galvanized steel, powder coated RAL 7035, with 2 pairs of 19 inch pillars, double skin with insulation, 100 mm base plinth, front & rear doors with 3-point locking handle, back door fitted with integrated 2000W cooling unit with monitoring interface.	2000 W Option(600 W)
GMI-FEC-42U-88-2000AC	GMI Saudi Made, 42U 800×800 Field Equipment Cabinet (FEC), IP66 floor standing welded structure, galvanized steel, powder coated RAL 7035, with 2 pairs of 19 inch pillars, double skin with insulation, 100 mm base plinth, front & rear doors with 3-point locking handle, back door fitted with integrated 2000W cooling unit with monitoring interface.	2000 W Option(600 W)
GMI-FEC-42U-810-2000AC	GMI Saudi Made, 42U 800×1000 Field Equipment Cabinet (FEC), IP66 floor standing welded structure, galvanized steel, powder coated RAL 7035, with 2 pairs of 19 inch pillars, double skin with insulation, 100 mm base plinth, front & rear doors with 3-point locking handle, back door fitted with integrated 2000W cooling unit with monitoring interface.	2000 W Option(600 W)

OTHER SIZES AVAILABLE ON REQUEST

Specifications and datasheets are subject to change without prior notice.



GAMMA FEC CABINETS IP66 FLOOR STAND WITH AIR CONDITIONING & MONITORING INTERFACE

Part Number	Standard Description (H X W X D) mm	Cooling Capacity (W)
GMI-FEC-32U-1358-2000AC	GMI Saudi Made, 32U 1350×800 Field Equipment Cabinet (FEC), IP66 floor standing welded structure, galvanized steel, powder coated RAL 7035, with 4 pairs of 19 inch pillars, double skin with insulation, 100 mm base plinth, front & rear double doors with 3-point locking handle, side fitted with integrated 2000W cooling unit with monitoring interface.	2000 W Option(600 W)
GMI-FEC-32U-1358-2002AC	GMI Saudi Made, 32U 1350×800 Field Equipment Cabinet (FEC), IP66 floor standing welded structure, galvanized steel, powder coated RAL 7035, with 4 pairs of 19 inch pillars, double skin with insulation, 100 mm base plinth, front & rear double doors with 3-point locking handle, side fitted with two integrated 2000W cooling unit with monitoring interface.	2000 W Option(600 W)
GMI-FEC-42U-1358-2000AC	GMI Saudi Made, 42U 1350×800 Field Equipment Cabinet (FEC), IP66 floor standing welded structure, galvanized steel, powder coated RAL 7035, with 4 pairs of 19 inch pillars, double skin with insulation, 100 mm base plinth, front & rear double doors with 3-point locking handle, side fitted with integrated 2000W cooling unit with monitoring interface.	2000 W Option(600 W)
GMI-FEC-42U-1358-2002AC	GMI Saudi Made, 42U 1350×800 Field Equipment Cabinet (FEC), IP66 floor standing welded structure, galvanized steel, powder coated RAL 7035, with 4 pairs of 19 inch pillars, double skin with insulation, 100 mm base plinth, front & rear double doors with 3-point locking handle, side fitted with two integrated 2000W cooling unit with monitoring interface.	2000 W Option(600 W)
GMI-FEC-42U-810-2002AC	GMI Saudi Made, 42U 800×1000 Field Equipment Cabinet (FEC), IP66 floor standing welded structure, galvanized steel, powder coated RAL 7035, with 2 pairs of 19 inch pillars, double skin with insulation, 100 mm base plinth, front & rear doors with 3-point locking handle, back door fitted with two integrated 2000W cooling unit with monitoring interface.	2000 W Option(600 W)

OTHER SIZES AVAILABLE ON REQUEST

Specifications and datasheets are subject to change without prior notice.



SAUDI MADE صناعة سعودية

رؤية 2030
المملكة العربية السعودية
KINGDOM OF SAUDI ARABIA

LC
المحتوى المحلي

AIR CONDITIONED OUTDOOR FEC CABINETS TECHNICAL DATA SHEET



شركة مصنع جاما للصناعات المعدنية
GAMMA FACTORY FOR METAL INDS.

MORE THAN **15** YEARS IN MANUFACTURING OF :

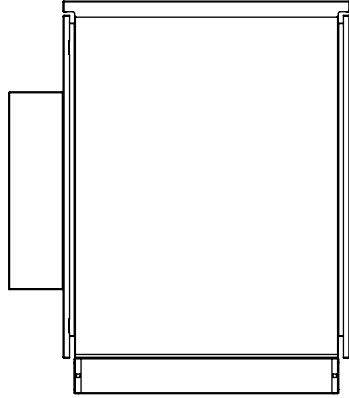
- Cabinets & Accessories
- IP... Outdoor Enclosures
- NEMA x Stainless Steel Enclosures
- Power Distribution Unit (PDU)



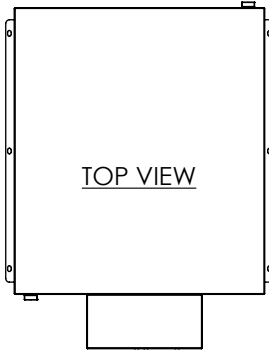
GAMMA FEC ENCLOSURE IP 66 WITH AC
PART NUMBER - GMI-FEC-21U-88-600AC



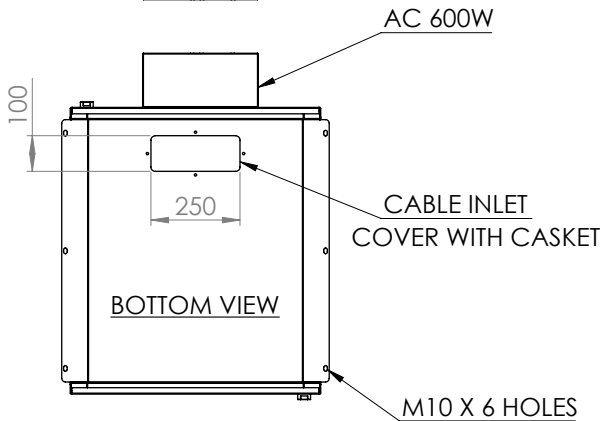
FRONT/BACK VIEW



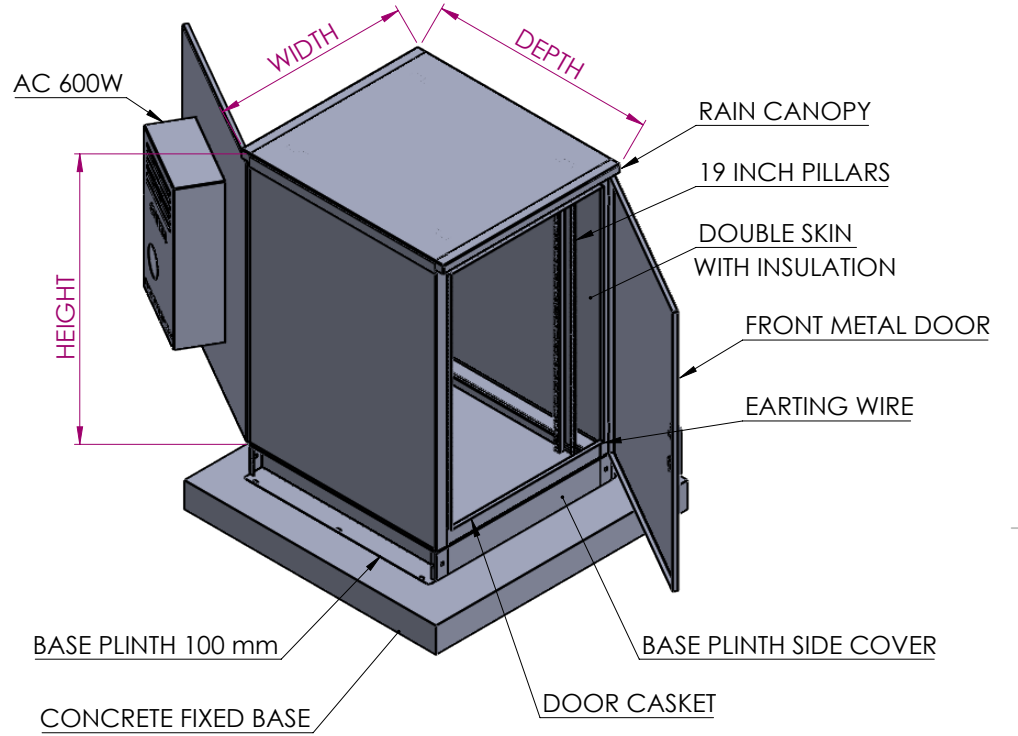
SIDE VIEW



TOP VIEW



BOTTOM VIEW



TECHNICAL DATA :-

ORDERING NO.	DESCRIPTION W(mm) X D(mm)	HEIGHT (H)
GMI-FEC-21U-88-600AC	800 X 800	1000

MATERIAL

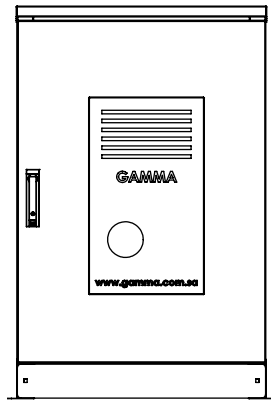
- Galvanized Steel - Standard
- Stainless Steel 304 - Optional

ALL DIMENSIONS ARE IN mm

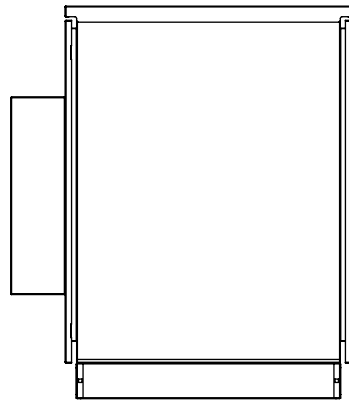
TITLE : FEC CABINET ASSEMBLY WITH AC		
DRAWN	SUHAIL	
CHECKED	ENGR. JAMAL	
DATE	01/ 05 / 2026	REV : 00
SCALE	1:1	SHEET : 1/1
LOCATION : RIYADH, K.S.A		
GAMMA FOR METAL INDUSTRIES		
P.O. BOX. 390395 - RIYADH 11365,		
TEL: +966 1 2428536 / 2428537		
FAX : +966 1 2428538		
E-MAIL : info@gamma.com.sa		



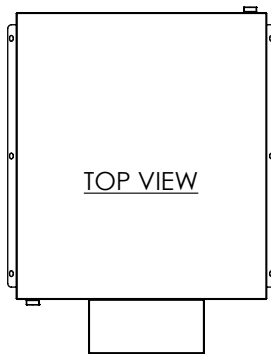
GAMMA FEC ENCLOSURE IP 66 WITH AC
PART NUMBER - GMI-FEC-21U-88-2000AC



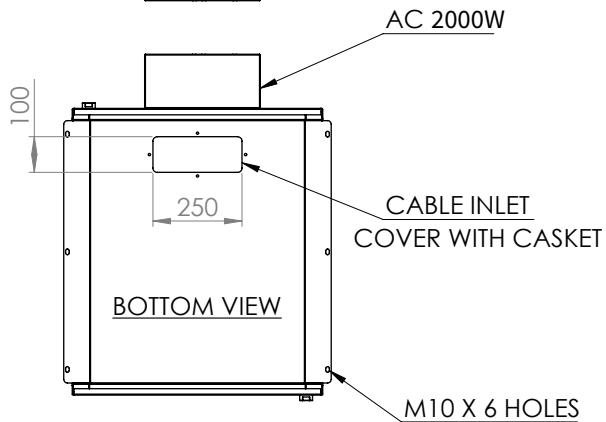
FRONT/BACK VIEW



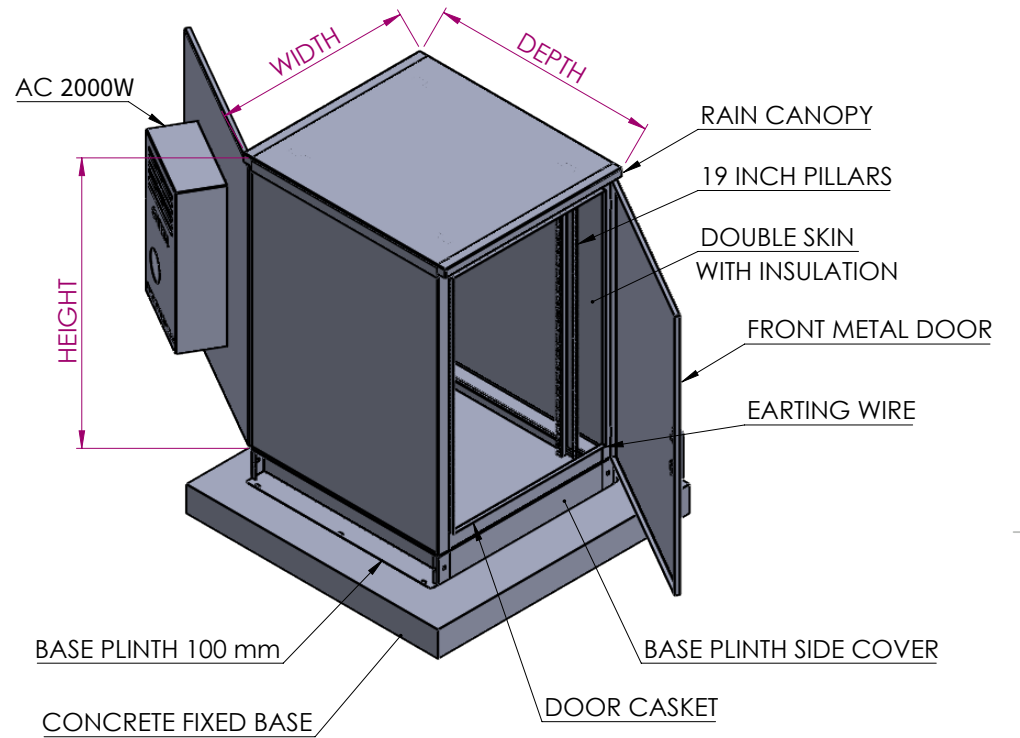
SIDE VIEW



TOP VIEW



BOTTOM VIEW



TECHNICAL DATA :-

ORDERING NO.	DESCRIPTION W(mm) X D(mm)	HEIGHT (H)
GMI-FEC-21U-88-2000AC	800 X 800	1000

MATERIAL

- Galvanized Steel - Standard
- Stainless Steel 304 - Optional

TITLE : FEC CABINET ASSEMBLY WITH AC		
DRAWN	SUHAIL	
CHECKED	ENGR. JAMAL	
DATE	01/ 05 / 2026	REV : 00
SCALE	1:1	SHEET : 1/1
LOCATION : RIYADH, K.S.A		
GAMMA FOR METAL INDUSTRIES		
P.O. BOX. 390395 - RIYADH 11365,		
TEL: +966 1 2428536 / 2428537		
FAX : +966 1 2428538		
E-MAIL : info@gamma.com.sa		

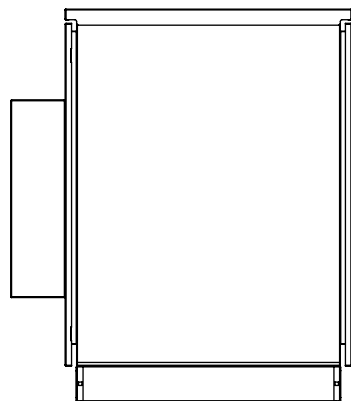


ALL DIMENSIONS ARE IN mm

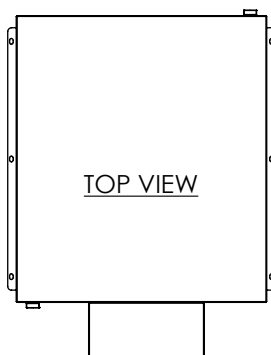
GAMMA FEC ENCLOSURE IP 66 WITH AC
PART NUMBER - GMI-FEC-26U-88-2000AC



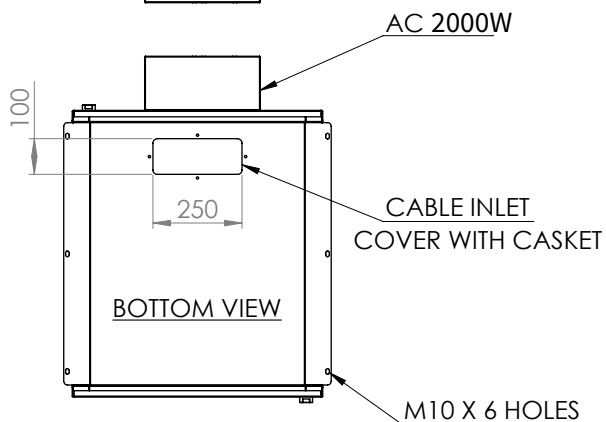
FRONT/BACK VIEW



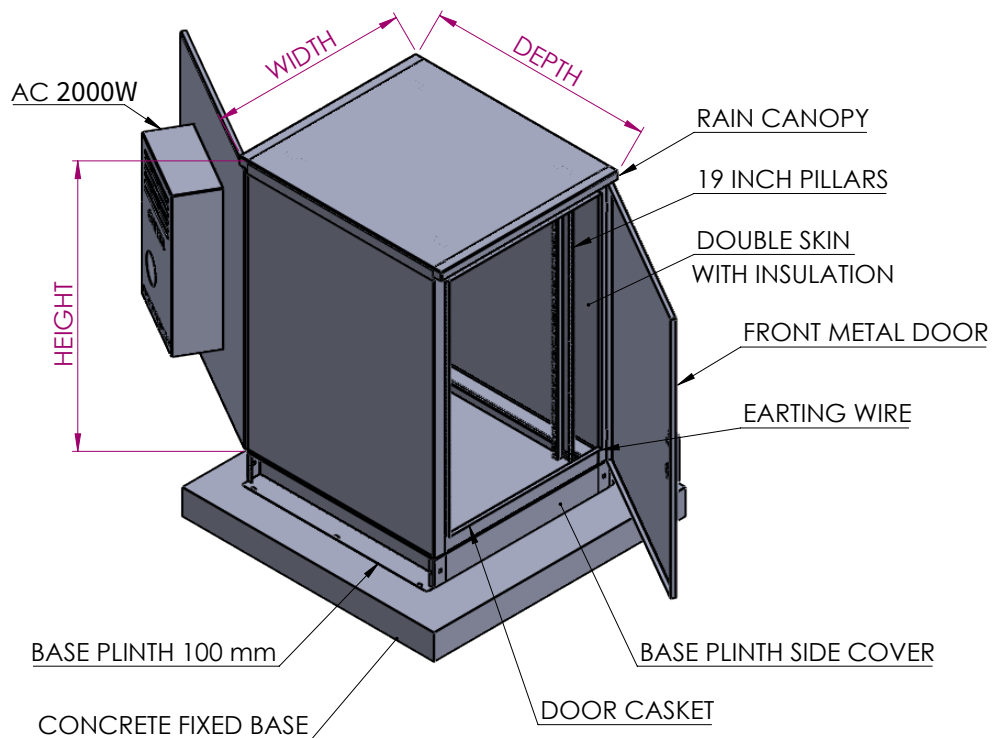
SIDE VIEW



TOP VIEW



BOTTOM VIEW



TECHNICAL DATA :-

ORDERING NO.	DESCRIPTION W(mm) X D(mm)	HEIGHT (H)
GMI-FEC-26U-88-2000AC	800 X 800	1195

MATERIAL

- Galvanized Steel - Standard
- Stainless Steel 304 - Optional

TITLE : FEC CABINET ASSEMBLY WITH AC		
DRAWN	SUHAIL	
CHECKED	ENGR. JAMAL	
DATE	01/ 05 / 2026	REV : 00
SCALE	1:1	SHEET : 1/1

LOCATION : RIYADH, K.S.A

GAMMA FOR METAL INDUSTRIES
P.O. BOX. 390395 - RIYADH 11365,
TEL: +966 1 2428536 / 2428537
FAX : +966 1 2428538
E-MAIL : info@gamma.com.sa

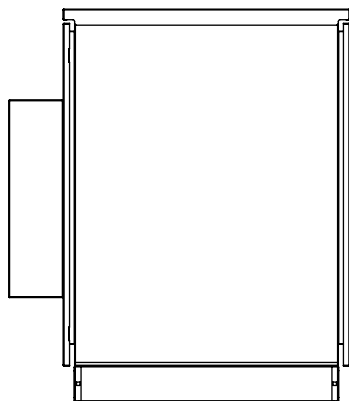


ALL DIMENSIONS ARE IN mm

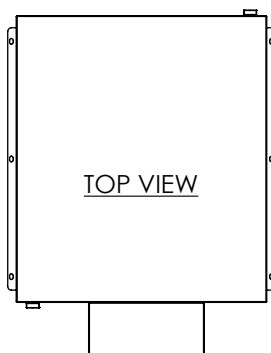
GAMMA FEC ENCLOSURE IP 66 WITH AC
PART NUMBER - GMI-FEC-32U-88-2000AC



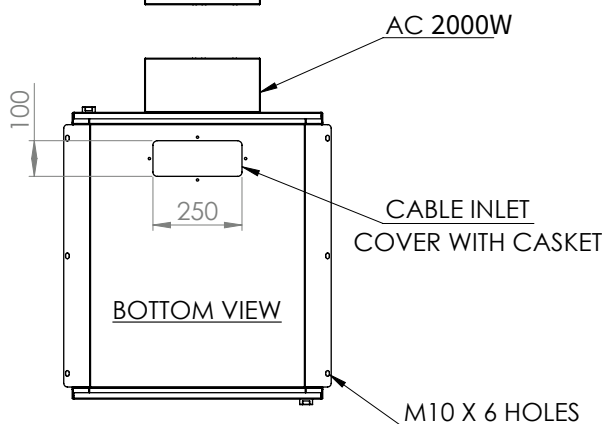
FRONT/BACK VIEW



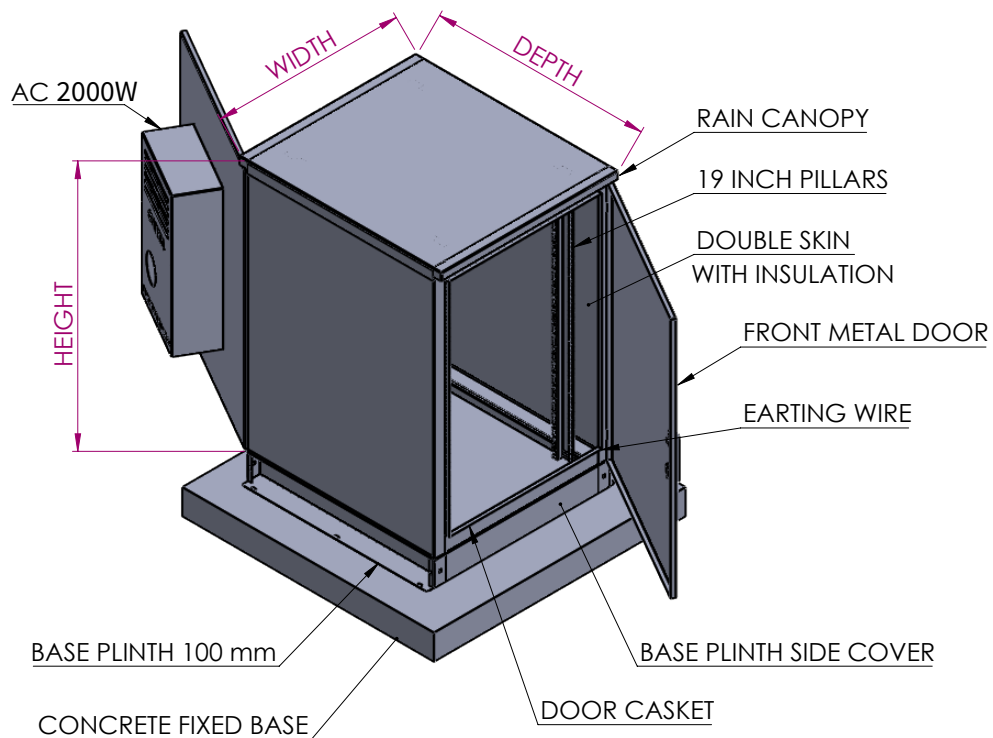
SIDE VIEW



TOP VIEW



BOTTOM VIEW



TECHNICAL DATA :-

ORDERING NO.	DESCRIPTION W(mm) X D(mm)	HEIGHT (H)
GMI-FEC-32U-88-2000AC	800 X 800	1500

MATERIAL

- Galvanized Steel - Standard
- Stainless Steel 304 - Optional

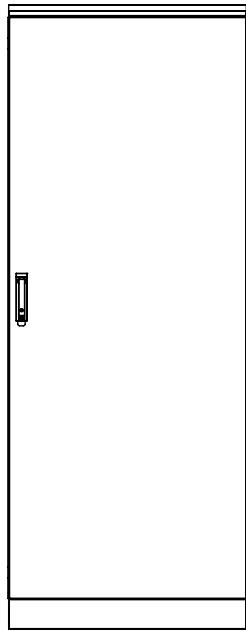
TITLE : FEC CABINET ASSEMBLY WITH AC		
DRAWN	SUHAIL	
CHECKED	ENGR. JAMAL	
DATE	01/ 05 / 2026	REV : 00
SCALE	1:1	SHEET : 1/1
LOCATION : RIYADH, K.S.A		
GAMMA FOR METAL INDUSTRIES		
P.O. BOX. 390395 - RIYADH 11365,		
TEL.: +966 1 2428536 / 2428537		
FAX : +966 1 2428538		
E-MAIL : info@gamma.com.sa		



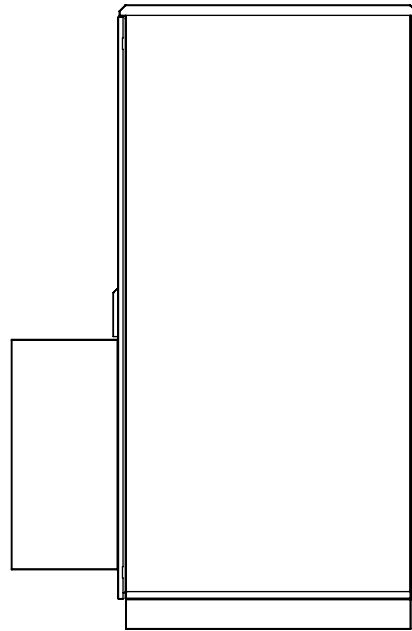
ALL DIMENSIONS ARE IN mm

GAMMA FEC ENCLOSURE IP 66 WITH AC
PART NUMBER - GMI-FEC-42U-88-2000AC

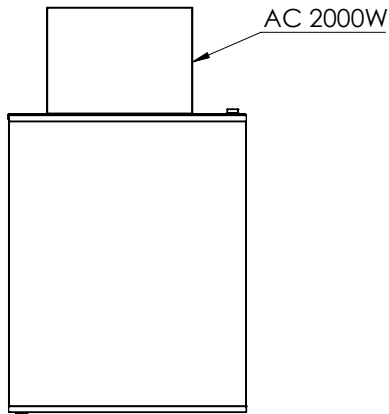
ALL DIMENSIONS ARE IN mm



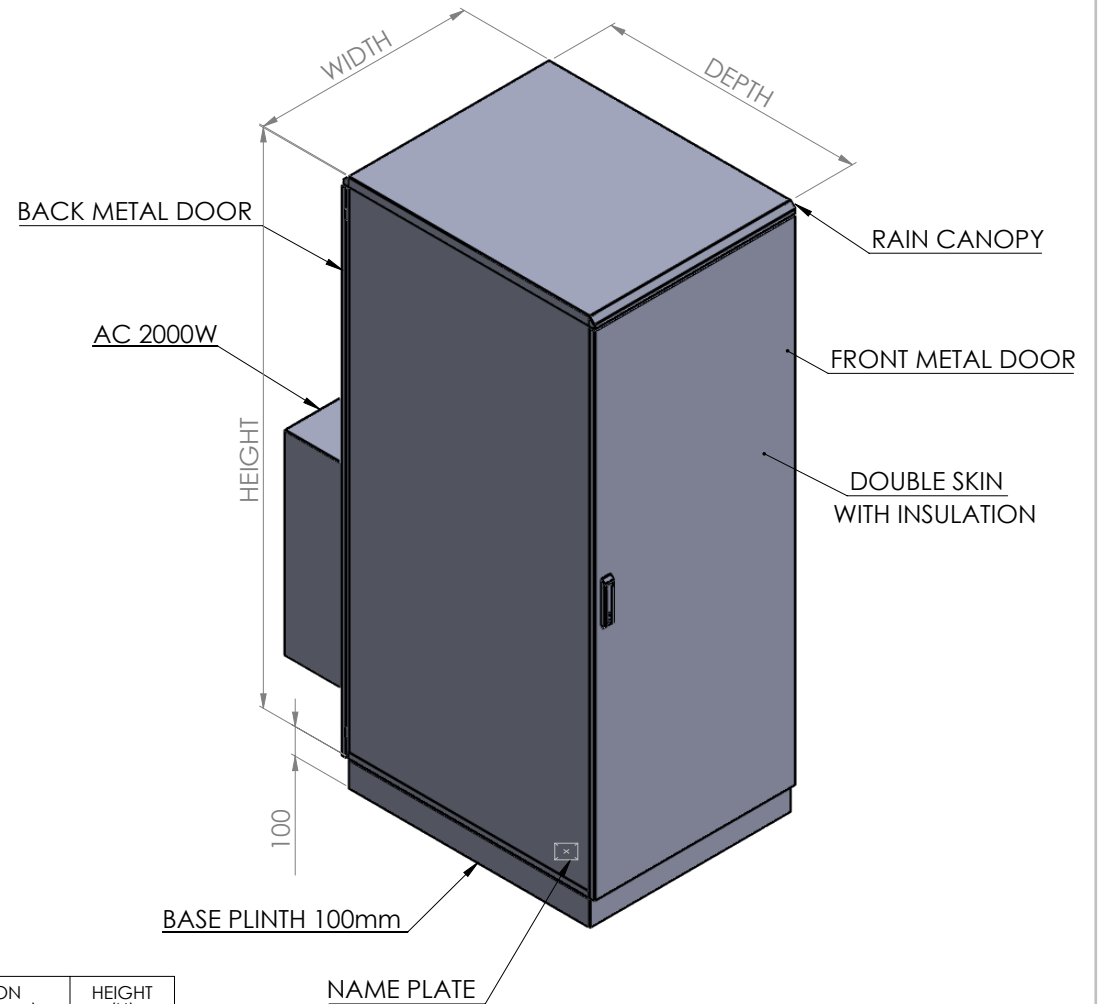
FRONT VIEW



SIDE VIEW



TOP VIEW



TECHNICAL DATA :-

ORDERING NO.	DESCRIPTION W(mm) X D(mm)	HEIGHT (H)
GMI-FEC-42U-88-2000AC	800 X 800	2000

MATERIAL

- Galvanized Steel - Standard
- Stainless Steel 304 - Optional

ALL DIMENSIONS ARE IN mm

TITLE :- OUTDOOR CABINET ASSEMBLY WITH AC		
DRAWN	SUHAIL	
CHECKED	ENGR. JAMAL	
DATE	01 / 05 / 2026	REV : 00
SCALE	1:1	SHEET : 1/1

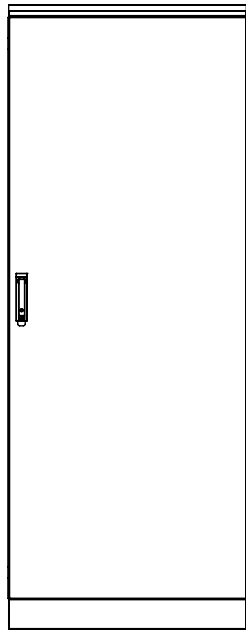
LOCATION : RIYADH, K.S.A

GAMMA FOR METAL INDUSTRIES
P.O. BOX. 390395 - RIYADH 11365,
TEL.: +966 1 2428536 / 2428537
FAX : +966 1 2428538
E-MAIL : info@gamma.com.sa

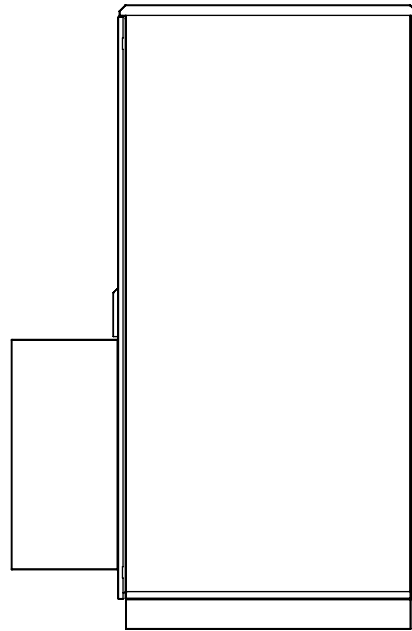


GAMMA FEC ENCLOSURE IP 66 WITH AC
PART NUMBER - GMI-FEC-42U-810-2000AC

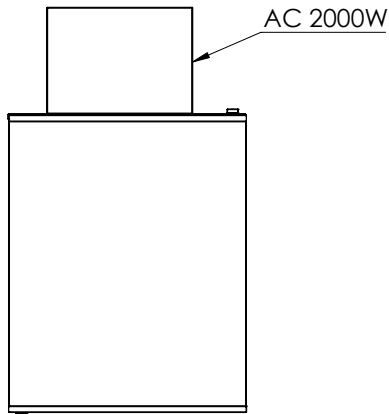
ALL DIMENSIONS ARE IN mm



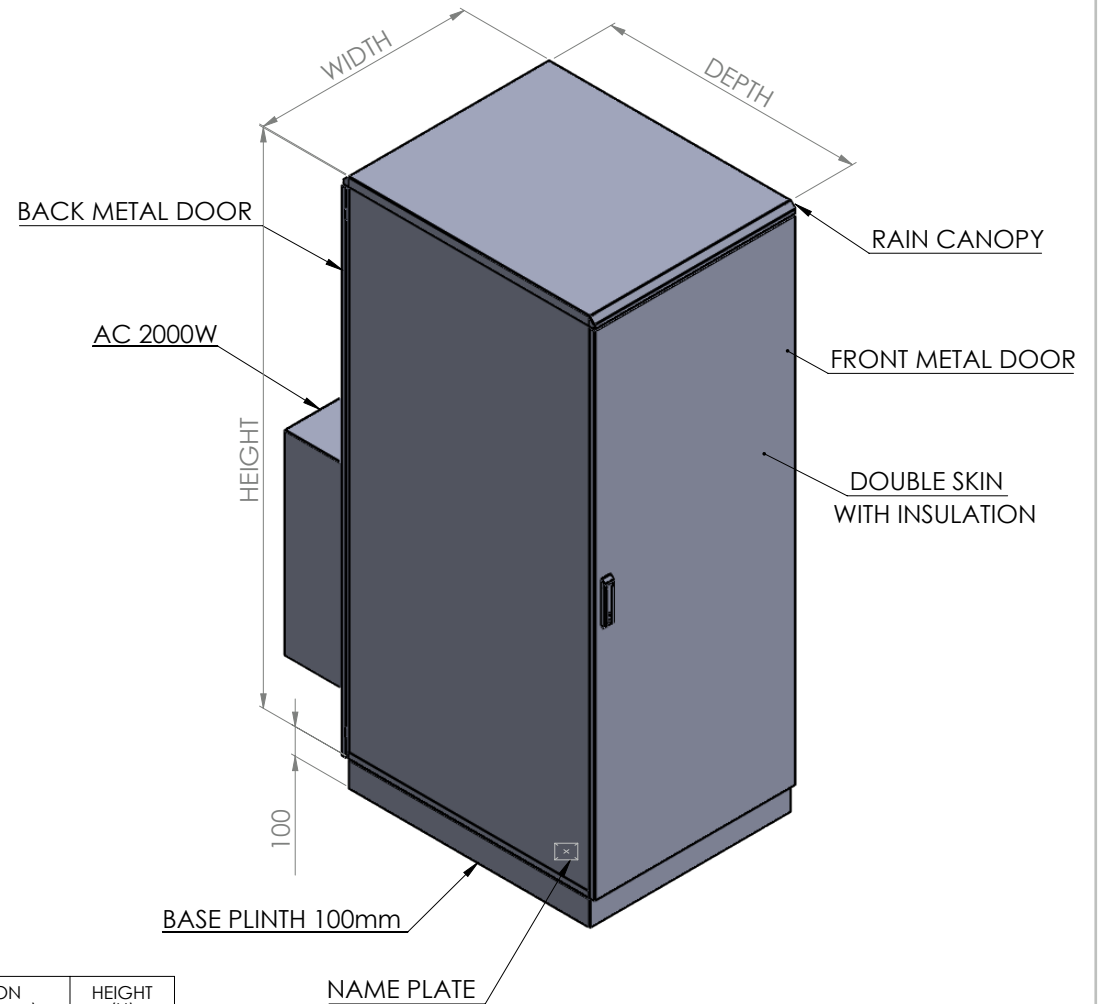
FRONT VIEW



SIDE VIEW



TOP VIEW



TECHNICAL DATA :-

ORDERING NO.	DESCRIPTION W(mm) X D(mm)	HEIGHT (H)
GMI-FEC-42U-810-2000AC	800 X 1000	2000

MATERIAL

- Galvanized Steel - Standard
- Stainless Steel 304 - Optional

ALL DIMENSIONS ARE IN mm

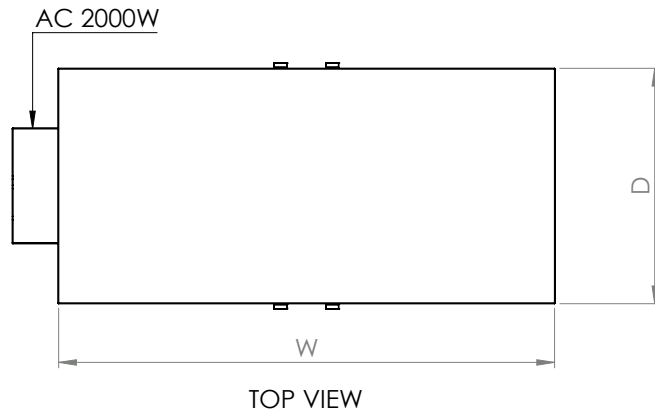
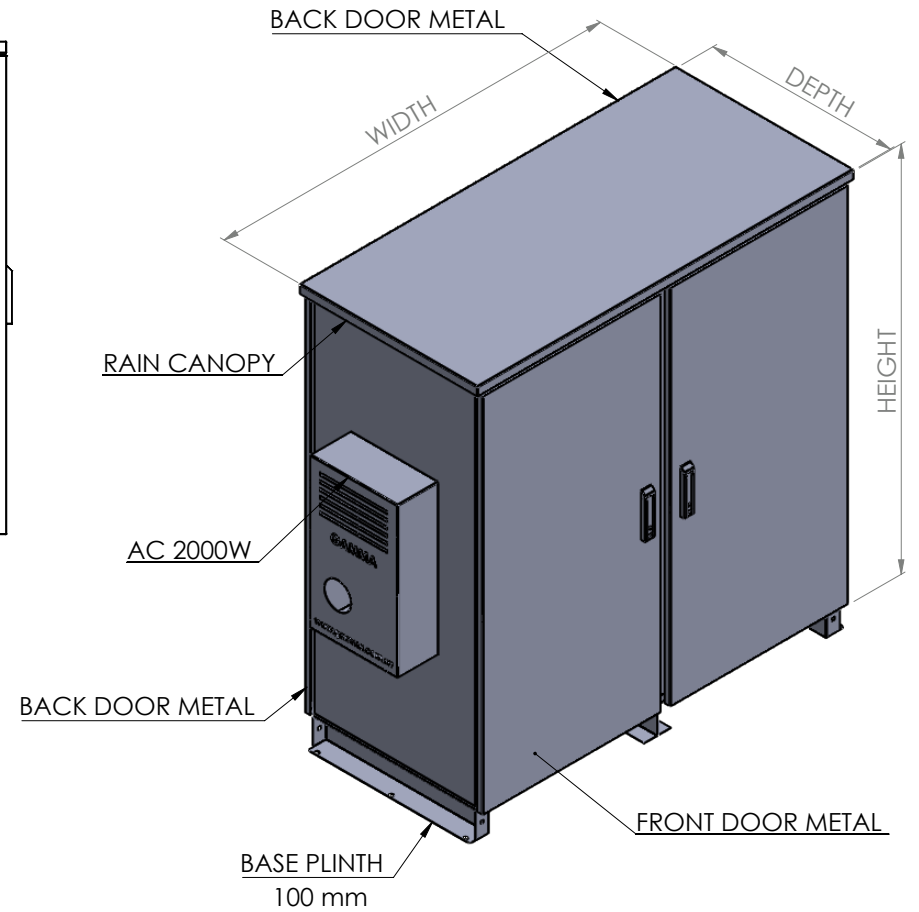
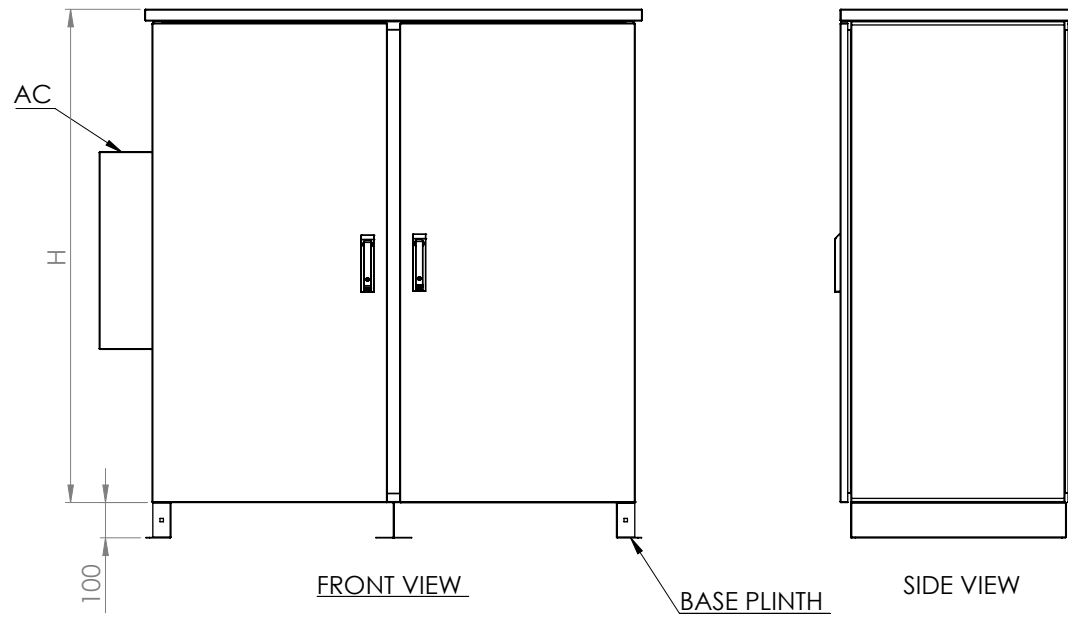
TITLE :- OUTDOOR CABINET ASSEMBLY WITH AC		
DRAWN	SUHAIL	
CHECKED	ENGR. JAMAL	
DATE	01 / 05 / 2026	REV : 00
SCALE	1:1	SHEET : 1/1

LOCATION : RIYADH, K.S.A

GAMMA FOR METAL INDUSTRIES
 P.O. BOX. 390395 - RIYADH 11365,
 TEL.: +966 1 2428536 / 2428537
 FAX : +966 1 2428538
 E-MAIL : info@gamma.com.sa



GAMMA FEC ENCLOSURE IP 66 WITH AC
PART NUMBER - GMI-FEC-32U-1358-2000AC



TECHNICAL DATA :-

ORDERING NO.	DESCRIPTION W(mm) X D(mm)	HEIGHT (H)
GMI-FEC-32U-1358-2000AC	1350 X 800	1500

TITLE :- AC OUTDOOR CABINET ASSEMBLY		
DRAWN	SUHAIL	
CHECKED	ENGR. JAMAL	
DATE	01 / 05 / 2026	REV : 00
SCALE	1:1	SHEET : 1/1

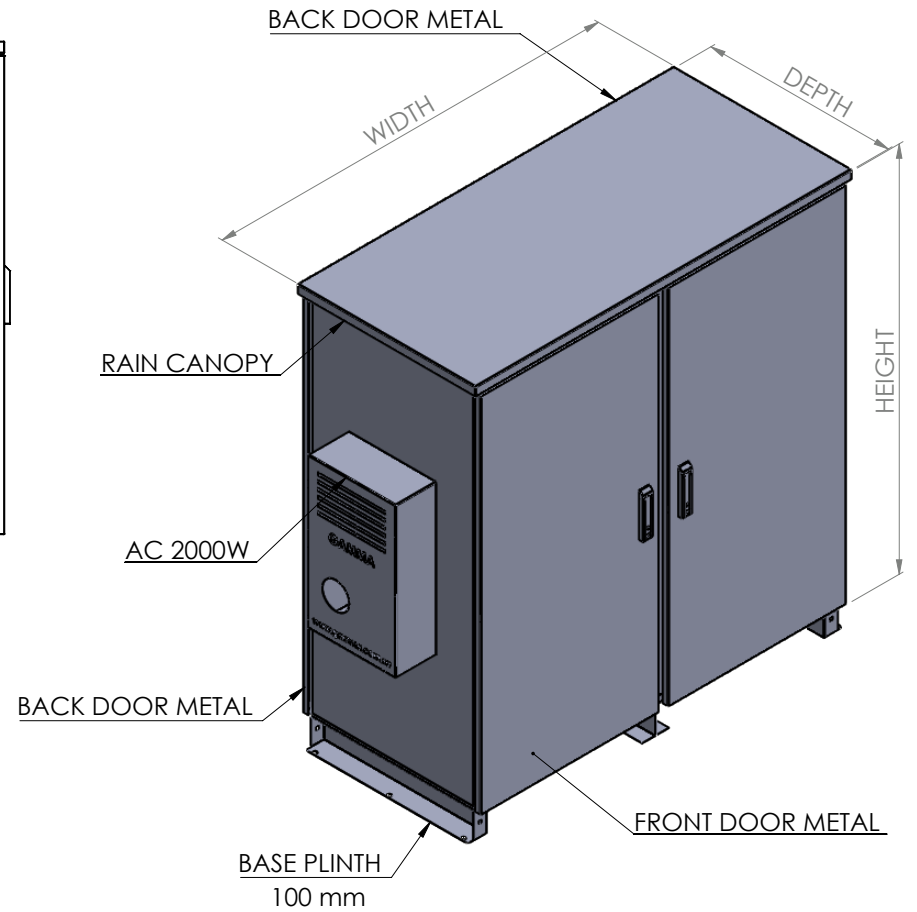
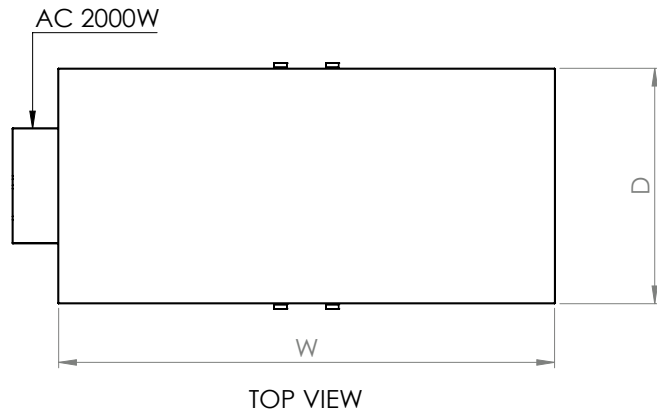
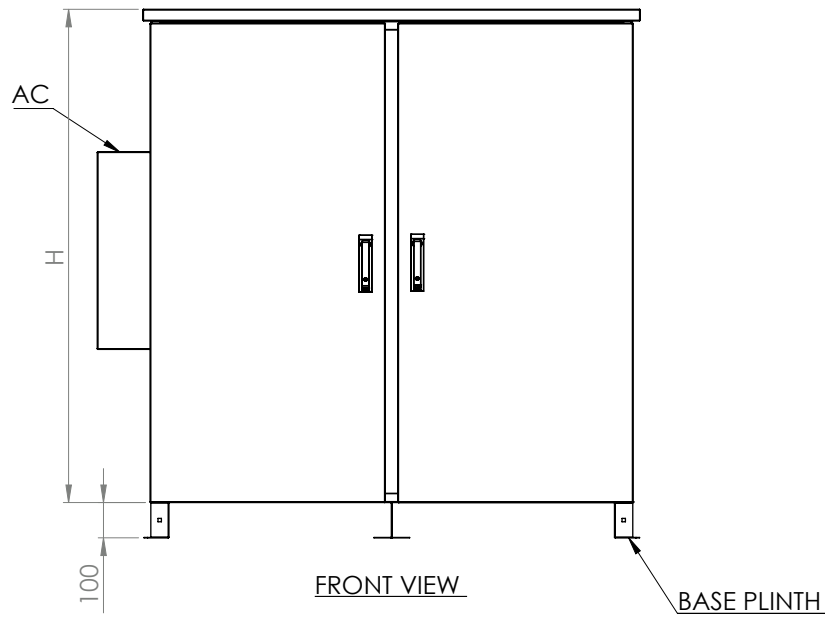
LOCATION : RIYADH, K.S.A

GAMMA FOR METAL INDUSTRIES
P.O. BOX. 390395 - RIYADH 11365,
TEL.: +966 1 2428536 / 2428537
FAX : +966 1 2428538
E-MAIL : info@gamma.com.sa



ALL DIMENSIONS ARE IN mm

GAMMA FEC ENCLOSURE IP 66 WITH AC
PART NUMBER - GMI-FEC-42U-1358-2000AC



TECHNICAL DATA :-

ORDERING NO.	DESCRIPTION W(mm) X D(mm)	HEIGHT (H)
GMI-FEC-42U-1358-2000AC	1350 X 800	2000

TITLE :- AC OUTDOOR CABINET ASSEMBLY		
DRAWN	SUHAIL	
CHECKED	ENGR. JAMAL	
DATE	01 / 05 / 2026	REV : 00
SCALE	1:1	SHEET : 1/1

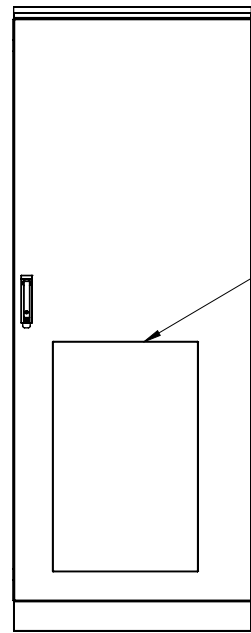
LOCATION : RIYADH, K.S.A

GAMMA FOR METAL INDUSTRIES
P.O. BOX. 390395 - RIYADH 11365,
TEL.: +966 1 2428536 / 2428537
FAX : +966 1 2428538
E-MAIL : info@gamma.com.sa

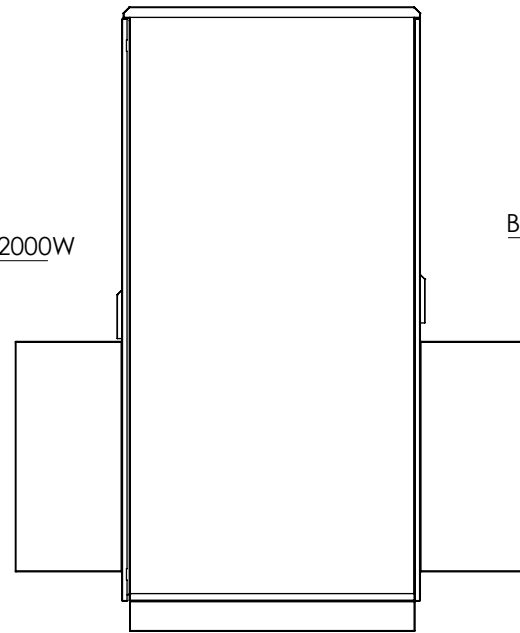


ALL DIMENSIONS ARE IN mm

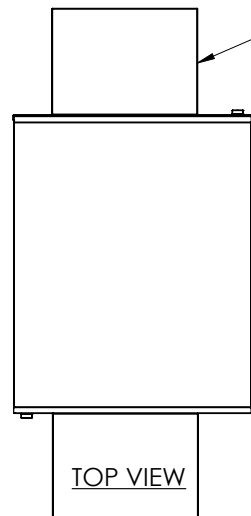
GAMMA FEC ENCLOSURE IP 66 WITH 2X AC
PART NUMBER - GMI-FEC-42U-810-2002AC



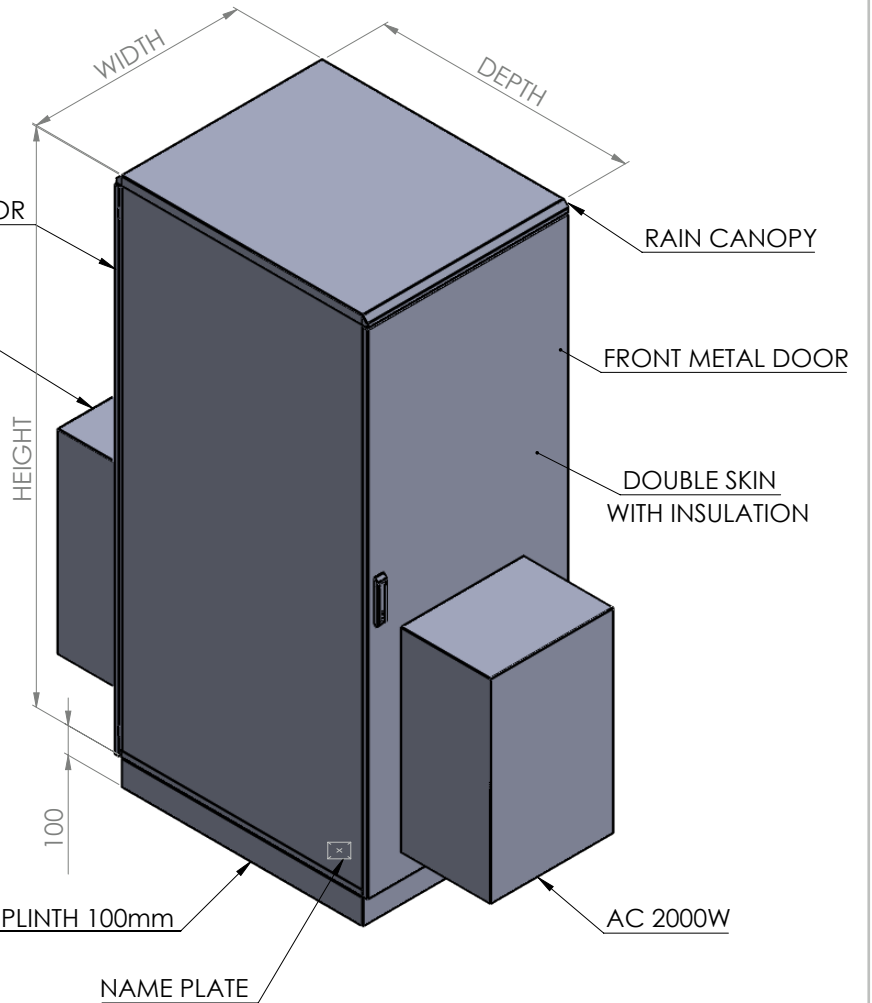
FRONT VIEW



SIDE VIEW



TOP VIEW



TECHNICAL DATA :-

ORDERING NO.	DESCRIPTION W(mm) X D(mm)	HEIGHT (H)
GMI-FEC-42U-810-2002AC	800 X 1000	2000

MATERIAL

- Galvanized Steel - Standard
- Stainless Steel 304 - Optional

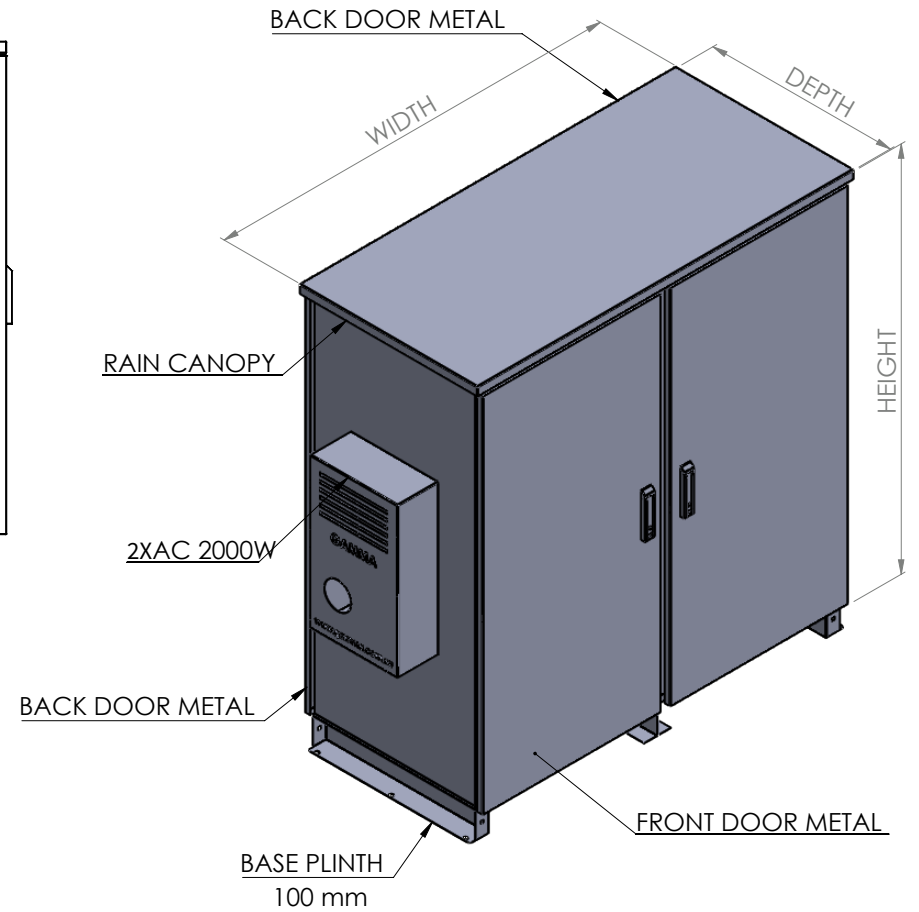
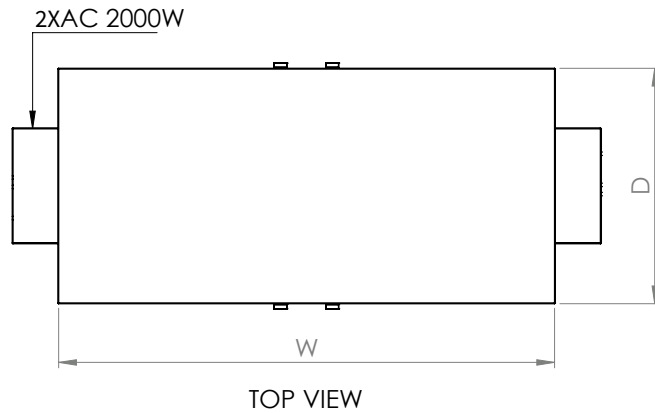
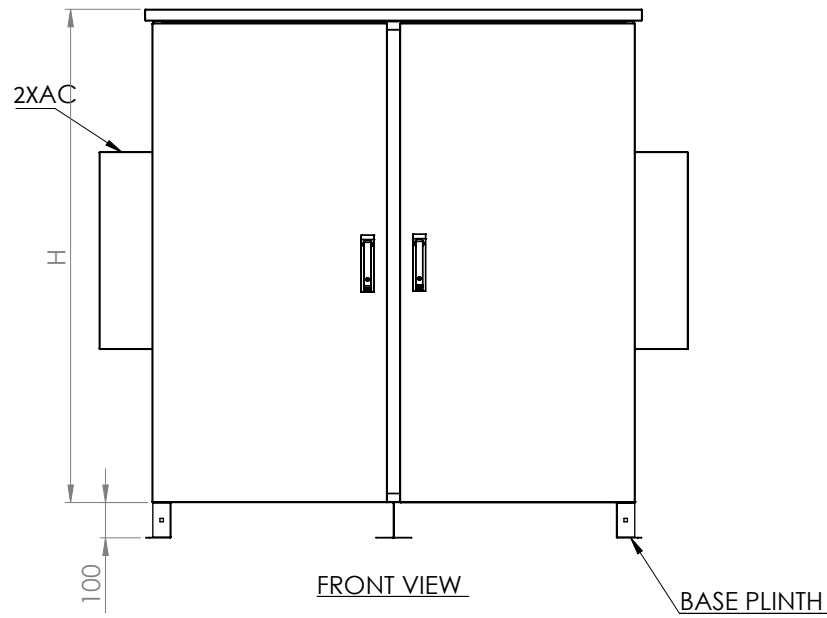
TITLE :- OUTDOOR CABINET ASSEMBLY WITH AC		
DRAWN	SUHAIL	
CHECKED	ENGR. JAMAL	
DATE	01 / 05 / 2026	REV : 00
SCALE	1:1	SHEET : 1/1

LOCATION : RIYADH, K.S.A

GAMMA FOR METAL INDUSTRIES
 P.O. BOX. 390395 - RIYADH 11365,
 TEL.: +966 1 2428536 / 2428537
 FAX : +966 1 2428538
 E-MAIL : info@gamma.com.sa



**GAMMA FEC ENCLOSURE IP 66 WITH 2X AC
PART NUMBER - GMI-FEC-32U-1358-2002AC**



TECHNICAL DATA :-

ORDERING NO.	DESCRIPTION W(mm) X D(mm)	HEIGHT (H)
GMI-FEC-32U-1358-2002AC	1350 X 800	1500

TITLE :- AC OUTDOOR CABINET ASSEMBLY		
DRAWN	SUHAIL	
CHECKED	ENGR. JAMAL	
DATE	01 /05 / 2026	REV : 00
SCALE	1:1	SHEET : 1/1

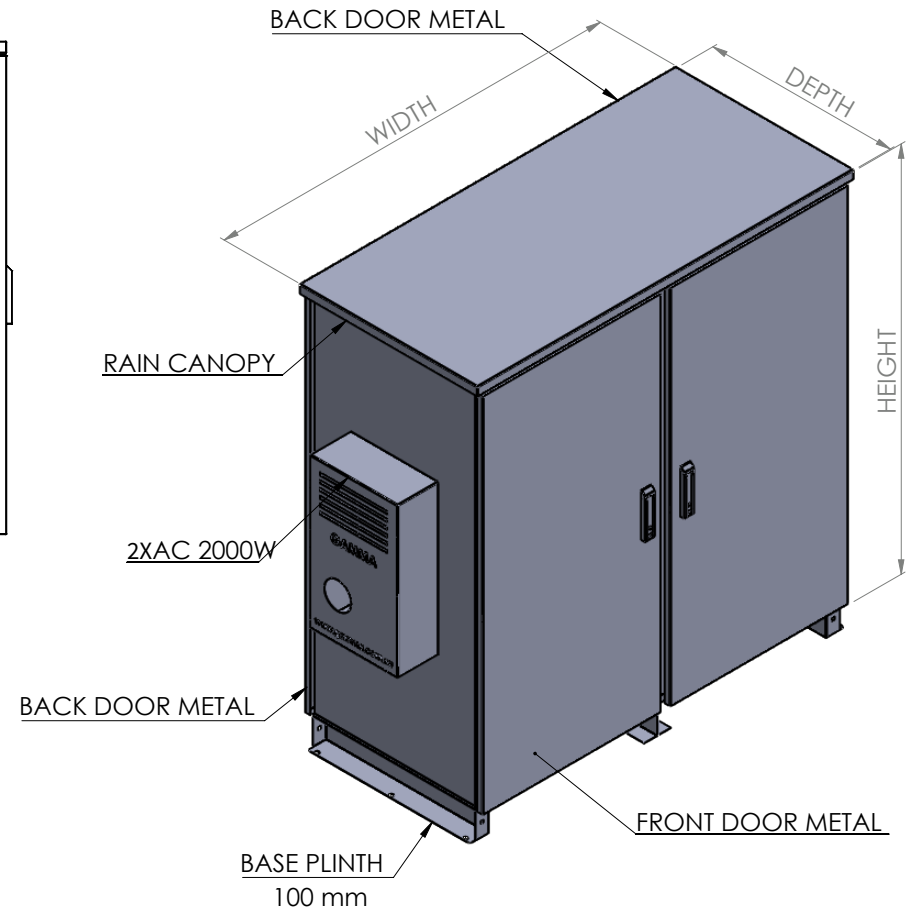
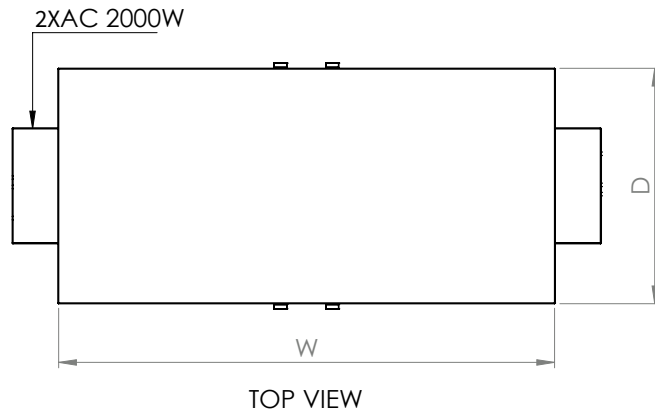
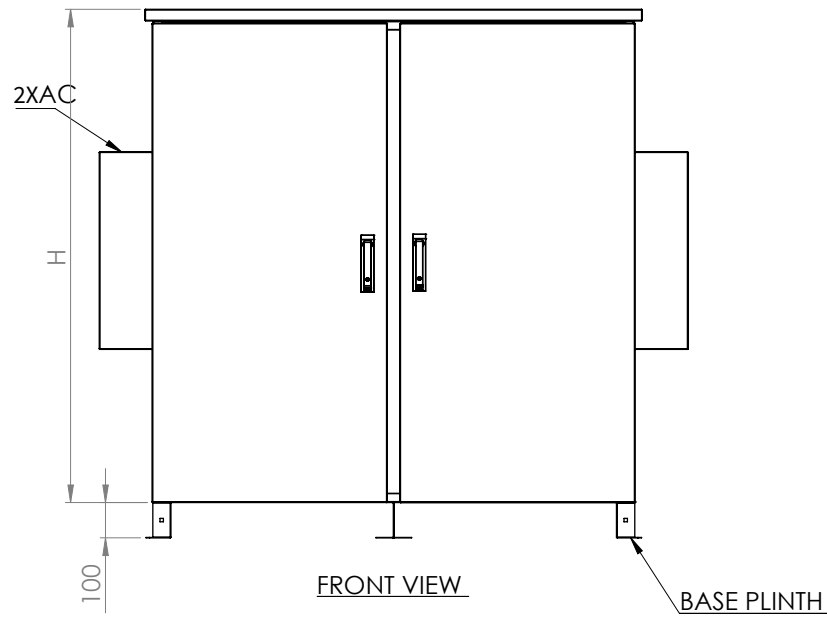
LOCATION : RIYADH, K.S.A

GAMMA FOR METAL INDUSTRIES
P.O. BOX. 390395 - RIYADH 11365,
TEL.: +966 1 2428536 / 2428537
FAX : +966 1 2428538
E-MAIL : info@gamma.com.sa



ALL DIMENSIONS ARE IN mm

**GAMMA FEC ENCLOSURE IP 66 WITH 2X AC
PART NUMBER - GMI-FEC-42U-1358-2002AC**



TECHNICAL DATA :-

ORDERING NO.	DESCRIPTION W(mm) X D(mm)	HEIGHT (H)
GMI-FEC-42U-1358-2002AC	1350 X 800	2000

TITLE :- AC OUTDOOR CABINET ASSEMBLY

DRAWN	SUHAIL	
CHECKED	ENGR. JAMAL	
DATE	25 / 06 / 2026	REV : 00
SCALE	1:1	SHEET : 1/1

LOCATION : RIYADH, K.S.A

GAMMA FOR METAL INDUSTRIES
P.O. BOX. 390395 - RIYADH 11365,
TEL.: +966 1 2428536 / 2428537
FAX : +966 1 2428538
E-MAIL : info@gamma.com.sa



ALL DIMENSIONS ARE IN mm

GAMMA FACTORY FOR METAL INDUSTRIES

2000W AC AIR CONDITIONER Datasheet

Model No : GMI-AC2000

PRODUCT INTRODUCTION

- Closed-loop, compact, mono-block design.
- Input voltage: 220V \pm 15% AC, 50/60Hz.
- Operational temperature: $-15^{\circ}\text{C} \sim 55^{\circ}\text{C}$.
- Refrigerant: R134a.

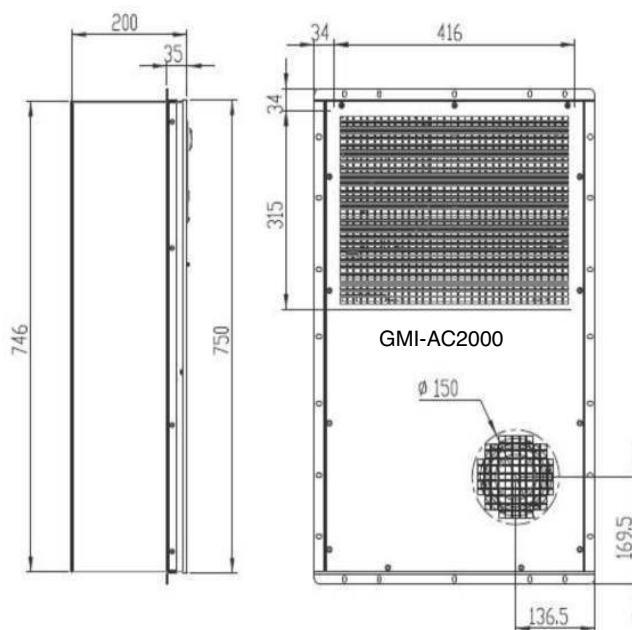
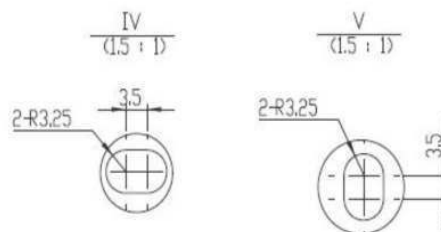
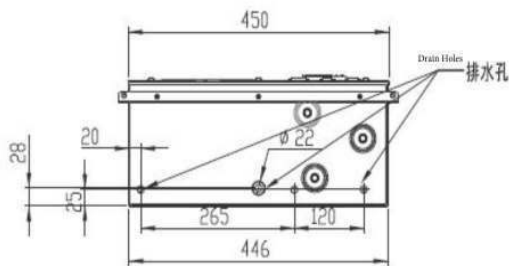
- Model No : GMI-AC2000

FEATURES AND BENEFITS

- Door / Side Mounted .
- Low-noise external fan.
- Auto-recovery with multi-protection functions.
- High-efficiency compressor.
- Interface for configuration & monitoring.
- Dry-contact alarm outputs (fault & temperature).
- RS485 communication for remote monitoring.
- Sun Shade Cover . (option)

TECHNICAL DATA

- Input Voltage: 220V \pm 15% AC, 50/60Hz
- Cooling Capacity : 2000W
- Power Consumption : 850W
- Rated Current: 3.9A
- Operating Temperature: -15°C to 55°C
- Net Weight: 34 kg
- Dimensions (HxWxD): 750x450x200 mm
- Protection Level: IP55
- Noise Level: 60-65 dB(A)
- 1 Years Warranty
- Color: RAL7035



Maintenance Recommendation:

Periodic inspection and preventive maintenance are recommended for optimal cooling performance.

Specifications and datasheets are subject to change without prior notice.

GAMMA FACTORY FOR METAL INDUSTRIES

600W AC AIR CONDITIONER Datasheet

Model No : GMI-AC0600

PRODUCT INTRODUCTION

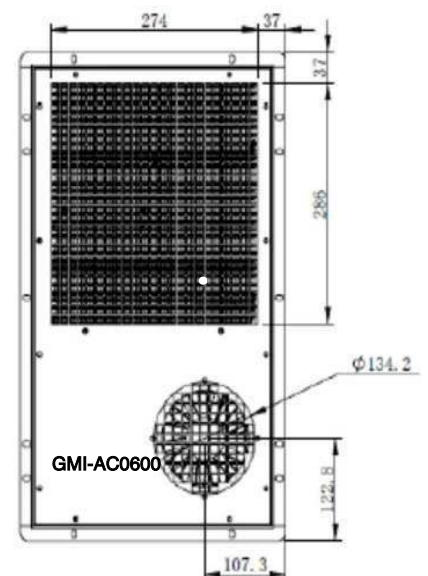
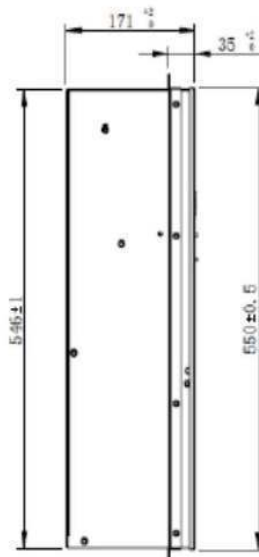
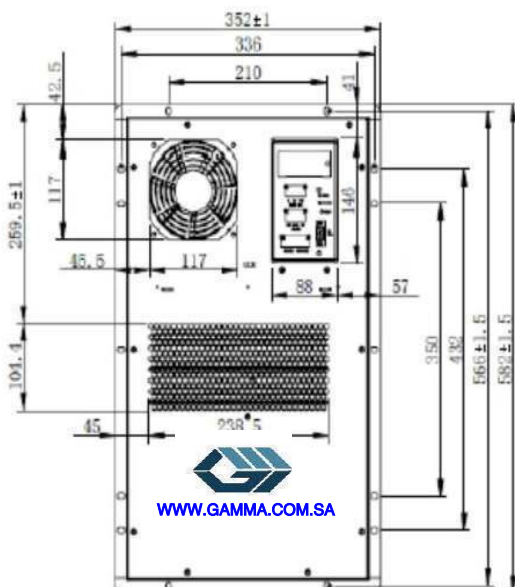
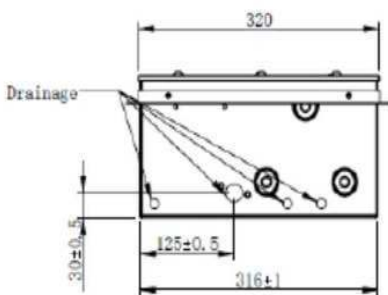
- Closed-loop, compact, mono-block design.
- Input voltage: 220V \pm 15% AC, 50/60Hz.
- Operational temperature: $-15^{\circ}\text{C} \sim 55^{\circ}\text{C}$.
- Refrigerant: R134a.
- Model No : GMI-AC0600

FEATURES AND BENEFITS

- Door / Side Mounted .
- Low-noise external fan.
- Auto-recovery with multi-protection functions.
- High-efficiency compressor.
- Interface for configuration & monitoring.
- Dry-contact alarm outputs (fault & temperature).
- RS485 communication for remote monitoring.
- Sun Shade Cover (option)

TECHNICAL DATA

- Input Voltage: 220V \pm 15% AC, 50/60Hz
- Cooling Capacity : 600W
- Power Consumption : 255W
- Rated Current: 1.2 A
- Operating Temperature: -15°C to 55°C
- Net Weight: 16 kg
- Dimensions (HxWxD): 550x320x170 mm
- Protection Level: IP55
- Noise Level: 57-62 dB(A)
- 1 Year Warranty
- Color: RAL7035



Maintenance Recommendation:

Periodic inspection and preventive maintenance are recommended for optimal cooling performance. Specifications and datasheets are subject to change without prior notice.

CERTIFICATES

منشآت monshat

رقم الشهادة: 2417034445
 التاريخ: 29-03-2024
 اسم المنشأة: شركة مصنع داما للصناعات المعدنية شركة شخص واحد
 الرقم الوطني: 700104309
 المسجل التجاري: 1040378376

تشهد الهيئة العامة للمنشآت الصغيرة والمتوسطة "منشآت" بأن المنشأة المذكورة أعلاه تتدرج من ضمن المنشآت الصغيرة والمتوسطة وفقاً للتعريف المعتمد لدى "منشآت"

يتم التحقق من الشهادة من خلال موقع منشآت
<http://profile.monshat.gov.sa/raedate>

تعد هذه الشهادة من الوثائق الحكومية الرسمية، ولا يجوز تداولها أو استعمالها إلا في حدود النطاق التي أصدرت لأجلها، ويحظر نقلها لتفويضها أو إدخال أي تعديلات عليها سواء بالإضافة أو الحذف أو التغيير في بياناتها أو غير ذلك من أوضاع التعديل، وتعد هذه الشهادة لدية إطلا عليها شيء، من ذلك، كما تعرض من ارتكب أي مما سبق إلى المعاملة النظامية أمام الجهات المختصة دون الإقلال بما تضمنه الأنظمة ذات العلاقة.

* يجب التحقق من خلال رابط موقع منشآت عن صلاحيته الشهادة حيث أنه يتم التمديد بشكل دوري

شهادة المحتوى المحلي
 Local content certification

The Local Content & Government Procurement Authority certifies that the Local Content Score for [Gamma Factory For Metal Industries] Commercial Registration No (1010278376) for the year ended 31/3/2023, is 79.36%.

This certificate expires on 31/03/2025.

تتلقى صلاحيته هذه الشهادة في 31/03/2025م.

تتمتع هيئة المحتوى المحلي والمشتريات الحكومية في نسبة المحتوى المحلي ل [شركة مصنع داما للصناعات المعدنية شركة شخص واحد] سجل تجاري رقم 1010278376 لسنة العامة المتكبرة بتاريخ 31/3/2023م بنسبة 79.36%.

تنتهي صلاحية هذه الشهادة في 31/03/2025م.

تصدرت هذه الشهادة وفقاً للبروتوكول المتفق عليه بين الهيئة العامة للمحتوى المحلي والمشتريات الحكومية من جانب الهيئة العامة للمحتوى المحلي والمشتريات الحكومية، دون المسئولية عن الهيئة العامة للمحتوى المحلي والمشتريات الحكومية.

يتم التحقق من صلاحيته هذه الشهادة من خلال رابط موقع منشآت عن صلاحيته الشهادة حيث أنه يتم التمديد بشكل دوري

INTERCERT
 CERTIFICATE OF REGISTRATION

INTERCERT hereby certifies that the Quality Management System of
GAMMA FACTORY FOR METAL INDUSTRIES COMPANY
 P.O. BOX, 390395 RYADH 11385, KINGDOM OF SAUDI ARABIA
 CR# 1010278376

Has been successfully assessed as per the requirements of
ISO 9001:2015

For the scope of
 Fabrication of 19 "Networking Rack Panels, Free Standing Cabinets, Open Racks, Wall Mounted Cabinets, Fiber Patch Panel, 19" PDU, Battery Enclosures, Outdoor Metal Enclosures, and Soundproof Canopies.

Initial Certification Date: October 28, 2023
 Certificate Issue Date: October 28, 2023
 Surveillance Validity Date: October 27, 2024
 Recertification Date: October 27, 2026

Registration Number: IC-QM-2310220

Issued on behalf of Intercert Head - Certifications

INTERCERT
 CERTIFICATE OF REGISTRATION

INTERCERT hereby certifies that the Environmental Management System of
GAMMA FACTORY FOR METAL INDUSTRIES COMPANY
 P.O. BOX, 390395 RYADH 11385, KINGDOM OF SAUDI ARABIA
 CR# 1010278376

Has been successfully assessed as per the requirements of
ISO 14001:2015

For the scope of
 Fabrication of 19 "Networking Rack Panels, Free Standing Cabinets, Open Racks, Wall Mounted Cabinets, Fiber Patch Panel, 19" PDU, Battery Enclosures, Outdoor Metal Enclosures, and Soundproof Canopies.

Initial Certification Date: October 28, 2023
 Certificate Issue Date: October 28, 2023
 Surveillance Validity Date: October 27, 2024
 Recertification Date: October 27, 2026

Registration Number: IC-EM-2310221

Issued on behalf of Intercert Head - Certifications

شهادة منشأ
 Certificate of Origin

السلطة العامة للصناعة والتجارة
 Ministry of Commerce and Industry

تاريخ الشهادة: 2023
 رقم الشهادة: 4472

ملاحظات: SHIP TO USA

المصدر وعنوانه: GAMMA FACTORY FOR METAL INDUSTRIES SAUDI ARABIA - RYADH EST 18 - SAJAL, Saudi Arabia

التاجر والتجارته: GAMMA FACTORY FOR METAL INDUSTRIES SAUDI ARABIA - RYADH EST 18 - SAJAL, Saudi Arabia

تاريخ الشهادة: 2023

GAMMA CABINETS SHIPPED TO USA

تتمتع هذه الشهادة بصحة كاملة طالما لم يتغير نطاقها أو نطاقها من تاريخ إصدارها، ولا يجوز تداولها أو استعمالها إلا في حدود النطاق التي أصدرت لأجلها، ويحظر نقلها لتفويضها أو إدخال أي تعديلات عليها سواء بالإضافة أو الحذف أو التغيير في بياناتها أو غير ذلك من أوضاع التعديل، وتعد هذه الشهادة لدية إطلا عليها شيء، من ذلك، كما تعرض من ارتكب أي مما سبق إلى المعاملة النظامية أمام الجهات المختصة دون الإقلال بما تضمنه الأنظمة ذات العلاقة.

شهادة منشأ
 Certificate of Origin

السلطة العامة للصناعة والتجارة
 Ministry of Commerce and Industry

تاريخ الشهادة: 2023
 رقم الشهادة: 4472

ملاحظات: SHIP TO USA

المصدر وعنوانه: GAMMA FACTORY FOR METAL INDUSTRIES SAUDI ARABIA - RYADH EST 18 - SAJAL, Saudi Arabia

التاجر والتجارته: GAMMA FACTORY FOR METAL INDUSTRIES SAUDI ARABIA - RYADH EST 18 - SAJAL, Saudi Arabia

تاريخ الشهادة: 2023

GAMMA CABINETS SHIPPED TO USA

تتمتع هذه الشهادة بصحة كاملة طالما لم يتغير نطاقها أو نطاقها من تاريخ إصدارها، ولا يجوز تداولها أو استعمالها إلا في حدود النطاق التي أصدرت لأجلها، ويحظر نقلها لتفويضها أو إدخال أي تعديلات عليها سواء بالإضافة أو الحذف أو التغيير في بياناتها أو غير ذلك من أوضاع التعديل، وتعد هذه الشهادة لدية إطلا عليها شيء، من ذلك، كما تعرض من ارتكب أي مما سبق إلى المعاملة النظامية أمام الجهات المختصة دون الإقلال بما تضمنه الأنظمة ذات العلاقة.

REFERENCE LIST

PROJECT	المشروع	PROJECT	المشروع	PROJECT	المشروع	PROJECT	المشروع
The red sea development company	تطوير البحر الأحمر	General Directorate of investigation	المديرية العامة للمباحث	STC WI FI 3G Offloading Project - KASC Jeddah	مدينة الملك عبدالله الرياضية	Schools Infrastructure Development - wave 2	شركة تطوير للمباني TBC
King Abdullah security project KAP1	مركز الملك عبدالله للمقرات الأمنية	The Saudi Central Bank (SAMA)	البنك المركزي السعودي	Ministry of Health - MOH West - MOH ESTERN	وزارة الصحة - المراكز الطبية	Rotana Hotel	فندق روتانا
King Abdullah security project KAP2	مركز الملك عبدالله للمقرات الأمنية	NEOM Hospital	مستشفى نيوم	DIGITAL TRUNKED RADIO SYSTEM WOA	الهيئة السعودية للكهرباء	Plazza in Hotel	فندق بلازا ان
King Abdullah security project KAP2-B	مركز الملك عبدالله للمقرات الأمنية	New Boulevards	البوليفر - الهيئة العامة للترفيه	Qasem Hospital	مستشفى القصيم	Half Moon Beach Hotel	فندق هاف مون بيتش
King Abdullah security project KAP2-C	مركز الملك عبدالله للمقرات الأمنية	Winter Land	ونتر لاند - الهيئة العامة للترفيه	MOH - PHC	وزارة الصحة - الرعاية الصحية الأولى	Hyat Regency Hotel	فندق حياة ريجنسي
King Abdullah security project KAP4	مركز الملك عبدالله للمقرات الأمنية	City Walk Jeddah	سيني ووك جده - الهيئة العامة للترفيه	Qasem University Hospital	مستشفى جامعة القصيم	Hilton Garden in Hotel	هيلتون جاردن
Royal Commission for Riyadh City (RCRC)	الهيئة الملكية لمدينة الرياض	Nuclear and Radiological Regulatory	هيئة الوقاية النووية والإشعاعية	Riyadh Metro	مترو الرياض	Park Inn - Jeddah	فندق بارك ان - جده
Security Force Medical Center (SFMC)	المركز الطبي لقوات الأمن	ARAR AIRPORT	مطار عرعر	General Commission for Survey - Phase 3 & 2	الهيئة العامة للمساحة	Park Inn hotel - JRIYADH	فندق بارك ان - الرياض
200 BED HOSPITAL - TABUK	مستشفى ٢٠٠ سرير - تبوك	VSAT BACKUP HUB FOR SCECO	الهيئة السعودية للكهرباء	General Directorate for Health Affairs	المديرية العامة للشؤون الصحية	Narsis Buder Hotel	فندق ناريسيس بوديل
HAJ COMMAND AND HOLLY CAPITAL PROJECT	مشروع قيادة الحج	National Water Commission (NWC)	الهيئة الوطنية للمياه (NWC)	MOI CCTV Project	مشروع كاميرات المراقبة لوزارة الداخلية	Makan Hotel	فندق مكان
King Salman Hospital	مستشفى الملك سلمان	World Trade Center - WTC	مركز الملك عبدالله المالي	E - learning Project - Tatweer - School Project	مشروع التعليم الإلكتروني	MUNICIPALITY OF MEDINA	بلدية المدينة المنورة
Marriott Executive Apartment	فندق شقق الماريوت التنفيذية	ISLAMIC University	الجمعة الإسلامية	Royal Saudi Navy Force - RSNF	القوة البحرية الملكية السعودية	Tabuk Emirate	إمارة تبوك
South Boarder Guards Housing	إسكان الحدود الجنوبية	Samsung C&T	سامسونج - راينج	Saudi Electronic University	الجامعة السعودية الإلكترونية	MUNICIPALITY OF TAIF	بلدية الطائف
AL SALAM PALACE	قصر السلام	AL ULA University	جامعة العلا - جامعة طبية	Royal Saudi Air Force - RSAF	القوات الجوية الملكية السعودية	Eastern Province Emirate	إمارة المنطقة الشرقية
King Abdulla Finance District - KAFC	مركز الملك عبدالله المالي	Imam Moh'd University	جامعة الإمام محمد	Strategic Missile Force -SMF	قوة الصواريخ الاستراتيجية	Security Development and Planning Agency	وكالة التطوير والتخطيط الأمني
Jeddah Islamic Port	ميناء جدة الإسلامي	Prince Satam University	جامعة الأمير سطام	SAIC - RSAF PROJECT - USA	مشروع القوات الجوية الملكية - الولايات المتحدة الأمريكية	Royal Private Affairs	قصور ملكية
Ministry of Municipal and Rural Affairs	وزارة الشؤون البلدية والقروية	Al - Jouf University	جامعة الجوف	King Abdul Aziz Center National Dialogue	مركز الملك عبد العزيز للحوار الوطني	VSAT -COGS	في سات
Building of Secretary of the GCC	مبنى الأمين العام لمجلس التعاون	Hafar Al-Batin University	جامعة حفر الباطن	National Center for Technology Electrical Energy Systems	المركز الوطني لتكنولوجيا أنظمة الطاقة الكهربائية	Technical and Vocational Training Corporation	المؤسسة العامة للتدريب التقني والمهني
Radusson Blue Hotel	فندق راديسون بلو	Taima & Hakel University	جامعة تيماء وحقل	Qassim Emirates	إمارة القصيم	MIFON Project Phase 3	المرحلة 3 MIFON مشروع
National Water Commission (NWC)	الهيئة الوطنية للمياه (NWC)	Hakel University	جامعة حائل	SOIETZ Saudi Organization for Industry	الهيئة السعودية للمدن الصناعية	King Abdullah University Hospital	مستشفى جامعة الملك عبد الله بن عبد العزيز





شركة مصنع جاما للصناعات المعدنية
GAMMA FACTORY FOR METAL INDS.

WWW.GAMMA.COM.SA SALES@GAMMA.COM.SA
SAUDI ARABIA - KHARJ +966 50 524 9431
KHARJ INDUSTRIAL CITY - MODON

